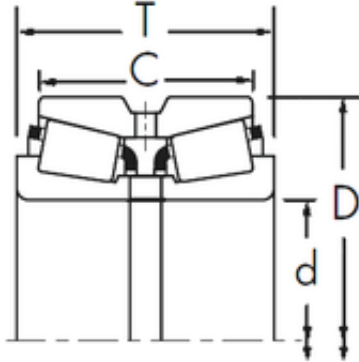




# Timken BEARINGS INDUSTRY

## Timken 48393/48320DC+X1S-48393 tapered roller bearings

Bearing No. 48393/48320DC+X1S-48393



48393/48320DC+X1S-48393 Bearing 2D drawings and 3D CAD models

Size	136.525x190.5x85.725 mm
Bore Diameter	136,525 mm
Outer Diameter	190,5 mm
Width	85,725 mm
d	136,525 mm
D	190,5 mm
T	85,725 mm
C	73,025 mm
R	3,5 mm
r	0,8 mm