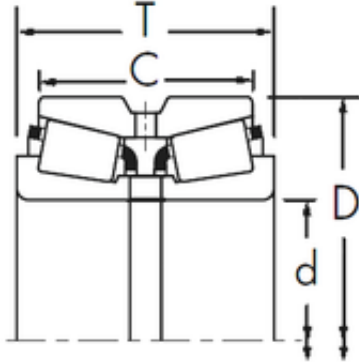




# Timken BEARINGS INDUSTRY

## Timken 52375/52637D+X2S-52375 tapered roller bearings

Bearing No. 52375/52637D+X2S-52375



Size	95.25x161.925x82.547 mm
Bore Diameter	95,25 mm
Outer Diameter	161,925 mm
Width	82,547 mm
d	95,25 mm
D	161,925 mm
T	82,547 mm
C	61,912 mm
R	3,5 mm
r	0,8 mm

52375/52637D+X2S-52375 Bearing 2D drawings and 3D CAD models