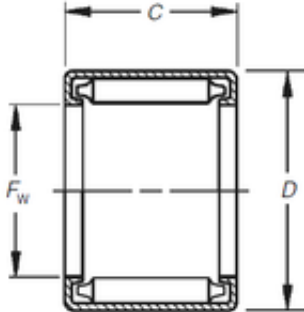




# Timken BEARINGS INDUSTRY

## Timken B-348 needle roller bearings



Bearing No. B-348

Size	53.975x63.5x12.7 mm
Bore Diameter	53,975 mm
Outer Diameter	63,5 mm
Width	12,7 mm
Fw	53,975 mm
D	63,5 mm
C	12,7 mm
Weight	0,065 Kg
Basic dynamic load rating (C)	26,1 kN
Basic static load rating (C0)	51,2 kN
(Grease) Lubrication Speed	2000 r/min

B-348 Bearing 2D drawings and 3D CAD models