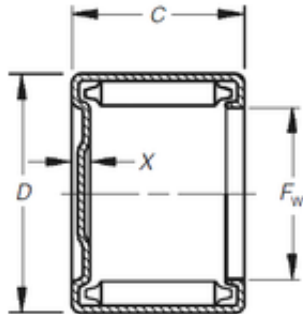




# Timken BEARINGS INDUSTRY

## Timken M-13141 needle roller bearings



Bearing No. M-13141

Size	20.638x26.988x22.23 mm
Bore Diameter	20,638 mm
Outer Diameter	26,988 mm
Width	22,23 mm
F <sub>w</sub>	20,638 mm
D	26,988 mm
C	22,23 mm
C1	2,29 mm
Weight	0,035 Kg
Basic dynamic load rating (C)	26,7 kN
Basic static load rating (C0)	51,15 kN
(Grease) Lubrication Speed	3400 r/min

M-13141 Bearing 2D drawings and 3D CAD models