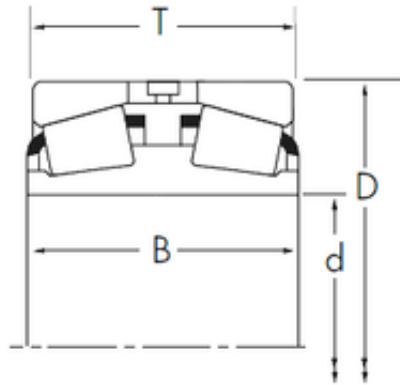




Timken BEARINGS INDUSTRY



355,6 mm x 457,2 mm x 120,65 mm Timken
LM263149D/LM263110+LM263110EA tapered
roller bearings

Bearing No. LM263149D/LM263110+LM263110EA

Size	355.6x457.2x120.65 mm
Bore Diameter	355,6 mm
Outer Diameter	457,2 mm
Width	120,65 mm
d	355,6 mm
D	457,2 mm
T	120,65 mm
B	120,65 mm
R	1,5 mm
r	3,3 mm

LM263149D/LM263110+LM263110EA Bearing 2D
drawings and 3D CAD models