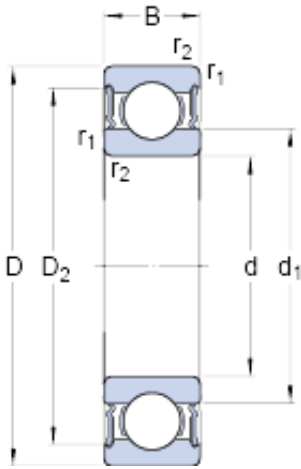




# Timken BEARINGS INDUSTRY



35 mm x 72 mm x 17 mm SKF W 6207-2RS1  
deep groove ball bearings

Bearing No. W 6207-2RS1

W 6207-2RS1 Bearing 2D drawings and 3D CAD models

Size	72x35x17 mm
Bore Diameter	72 mm
Outer Diameter	35 mm
Width	17 mm
d	35 mm
D	72 mm
B	17 mm
d <sub>1</sub>	47.6 mm
D <sub>2</sub>	64.83 mm
r <sub>1,2</sub> - min.	1.1 mm
d <sub>a</sub> - min.	41.5 mm
d <sub>a</sub> - max.	47.5 mm
D <sub>a</sub> - max.	65.5 mm
r <sub>a</sub> - max.	1 mm
Basic dynamic load rating - C	22.1 kN
Basic static load rating - C <sub>0</sub>	15.3 kN
Fatigue load limit - P <sub>u</sub>	0.655 kN
Limiting speed	6000 r/min
Calculation factor - k <sub>r</sub>	0.03
Calculation factor - f <sub>0</sub>	13.9
Category	Single Row Ball Bearings
Inventory	0.0
Manufacturer Name	SKF
Minimum Buy Quantity	N/A



## Timken BEARINGS INDUSTRY

Weight / Kilogram	0.278
EAN	7316571183886
Product Group	B00308
Enclosure	2 Seals
Precision Class	ABEC 1   ISO P0
Maximum Capacity / Filling Slot	No
Rolling Element	Ball Bearing
Snap Ring	No
Internal Special Features	No
Cage Material	Stainless Steel
Enclosure Type	Contact Seal
Internal Clearance	C0-Medium
Inch - Metric	Metric
Long Description	35MM Bore; 72MM Outside Diameter; 17MM Outer Race Width; 2 Seals; Ball Bearing; ABEC 1   ISO P0; No Filling Slot; No Snap Ring; No Internal Special Features; C0-Medium Internal Clearance; Stainless St
Other Features	Deep Groove   NBR Seal
Category	Single Row Ball Bearing
UNSPSC	31171504
Harmonized Tariff Code	8482.10.50.68
Noun	Bearing
Keyword String	Ball
Manufacturer URL	<a href="http://www.skf.com">http://www.skf.com</a>
Manufacturer Item Number	W 6207-2RS1
Weight / LBS	0.6173
Bore	1.378 Inch   35 Millimeter
Outer Race Width	0.669 Inch   17 Millimeter
Outside Diameter	2.835 Inch   72 Millimeter



## Timken BEARINGS INDUSTRY

Inner Race Width	0 Inch   0 Millimeter
$d_1$	47.6 mm
$D_2$	64.83 mm
$r_{1,2}$ min.	1.1 mm
$d_a$ min.	41.5 mm
$d_a$ max.	46.5 mm
$D_a$ max.	65.5 mm
$r_a$ max.	1 mm
Basic dynamic load rating C	22.1 kN
Basic static load rating $C_0$	15.3 kN
Fatigue load limit $P_u$	0.655 kN
Calculation factor $k_r$	0.03
Calculation factor $f_0$	13.9
Mass bearing	0.28 kg