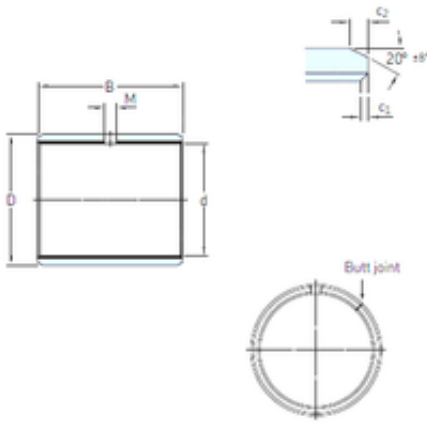




Timken BEARINGS INDUSTRY

12 mm x 14 mm x 25 mm SKF PCM 121425 E plain bearings



Bearing No. PCM 121425 E

| | |
|-------------------------------|---------------|
| Size | 12x14x25 mm |
| Bore Diameter | 12 mm |
| Outer Diameter | 14 mm |
| Width | 25 mm |
| d | 12 mm |
| D | 14 mm |
| B | 25 mm |
| c1 min | 0,1 mm |
| c2 min | 0,2 mm |
| M | – mm |
| Weight | 0,0076 Kg |
| Basic dynamic load rating (C) | 24 kN |
| Category | Bearings |
| Inventory | 0.0 |
| Manufacturer Name | SKF |
| Minimum Buy Quantity | N/A |
| UNSPSC | 31171515 |
| Weight / Kilogram | 0.008 |
| EAN | 7316571851747 |
| Product Group | B04264 |
| c ₁ min. | 0.1 mm |
| c ₁ max. | 0.6 mm |
| c ₂ min. | 0.2 mm |
| c ₂ max. | 1 mm |
| ± 8 | 20 ° |

PCM 121425 E Bearing 2D drawings and 3D CAD models



Timken BEARINGS INDUSTRY

| | |
|--|-----------------------|
| Tolerance shaft | f7 |
| Tolerance housing | H7 |
| Basic dynamic load rating - radial direction C | 24 kN |
| Basic static load rating - radial direction C ₀ | 75 kN |
| Specific dynamic load factor K | 80 N/mm ² |
| Specific static load factor K ₀ | 250 N/mm ² |
| Factor depending on material and bearing type K _M | 480 |
| Permissible sliding velocity v min. | 0 m/s |
| Permissible sliding velocity v max. | 2 m/s |
| Coefficient of friction μ min. | 0.03 |
| Coefficient of friction μ max. | 0.25 |
| Mass bushing | 0.0076 kg |