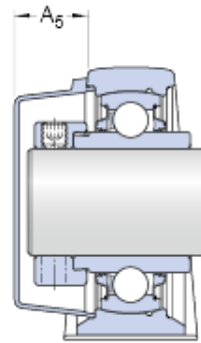
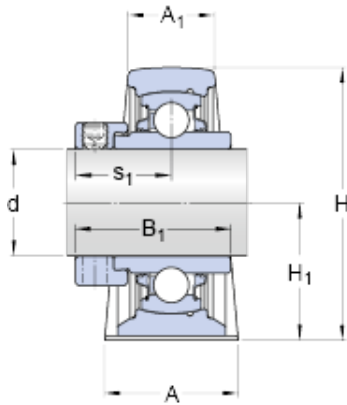




Timken BEARINGS INDUSTRY



SKF SY 50 WDW bearing units

Bearing No. SY 50 WDW

Size	50x54x34 mm
Bore Diameter	50 mm
Outer Diameter	54 mm
Width	34 mm
d	50 mm
A	54 mm
A ₁	34 mm
A ₅	29.5 mm
B ₁	62.7 mm
H	114 mm
H ₁	57.2 mm
H ₂	22 mm
J	157 mm
J - max.	165 mm
J - min.	149 mm
L	203 mm
H	26 mm
N ₁	18 mm
s ₁	38.1 mm
J ₆	187 mm
J ₇	19 mm
N ₄	4 mm
Basic dynamic load rating - C	35.1 kN
Basic static load rating - C ₀	23.2 kN

SY 50 WDW Bearing 2D drawings and 3D CAD models



Timken BEARINGS INDUSTRY

Fatigue load limit - P_u	0.98 kN
Limiting speed	800 r/min
Weight	2.75 kg
Hexagonal key size for grub screw - H	5 mm
Housing material	Cast iron
A_1	34 mm
A_5	29.5 mm
B_1	62.7 mm
H_1	57.2 mm
H_2	22 mm
J max.	165 mm
J min.	149 mm
N	26 mm
N_1	18 mm
s_1	38.1 mm
J_6	187 mm
J_7	19 mm
N_4	4 mm
Basic dynamic load rating C	35.1 kN
Basic static load rating C_0	23.2 kN
Fatigue load limit P_u	0.98 kN
Mass bearing unit	2.75 kg
Thread grub screw G_2	M10x1
Hexagonal key size for grub screw N	5 mm
Recommended tightening torque for grub screw	16.5 N · m
Recommended diameter for attachment bolts, mm G	16 mm
Recommended diameter for attachment bolts, inch G	0.625 in
Housing	SY 510 M/VZ033
Bearing	YELAG 210



Timken BEARINGS INDUSTRY

End cover	ECY 210
-----------	---------