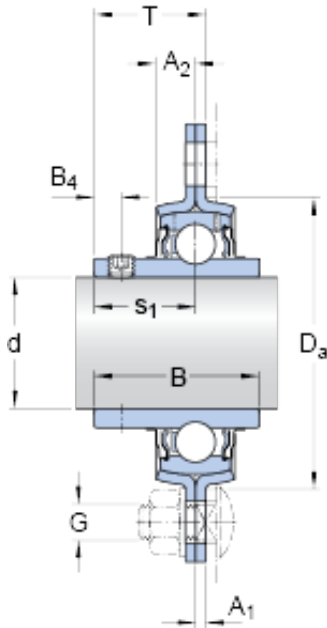




Timken BEARINGS INDUSTRY



PFD 20 TF Bearing 2D drawings and 3D CAD models

SKF PFD 20 TF bearing units

Bearing No. PFD 20 TF

Size	20x2x8 mm
Bore Diameter	20 mm
Outer Diameter	2 mm
Width	8 mm
d	20 mm
A ₁	2 mm
A ₂	8 mm
B	31 mm
B ₄	4.5 mm
D _a - min.	51 mm
J	71.4 mm
H	90 mm
H ₁	32 mm
H	8.7 mm
s ₁	18.3 mm
T	20.3 mm
Basic dynamic load rating - C	12.7 kN
Basic static load rating - C ₀	6.6 kN
Fatigue load limit - P _u	0.28 kN
Permissible radial housing load	max. 3.3 kN
Weight	0.25 kg
Thread - G ₂	M6x0.75
Hexagonal key size for grub screw - H	3 mm



Timken BEARINGS INDUSTRY

Housing material	Pressed steel
A ₁	2 mm
A ₂	8 mm
B ₄	4.5 mm
D _a min.	51 mm
H ₁	32 mm
N	8.7 mm
s ₁	18.3 mm
Basic dynamic load rating C	12.7 kN
Basic static load rating C ₀	6.55 kN
Fatigue load limit P _u	0.28 kN
Permissible radial housing load max.	3.3 kN
Mass unit	0.25 kg
Thread grub screw G ₂	M6x0.75
Hexagonal key size for grub screw N	3 mm
Recommended tightening torque for grub screw	4 N · m
Recommended diameter for attachment bolts, mm G	8 mm
Recommended diameter for attachment bolts, inch G	0.3125 in
Bearing	YAR 204-2F
Housing	PFD 47