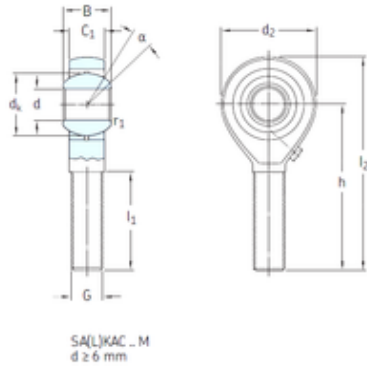




Timken BEARINGS INDUSTRY

SKF SALKAC30M plain bearings



Bearing No. SALKAC30M

Bore Diameter	30 mm
d	30 mm
d2 max.	71 mm
dk	50,8 mm
h	110 mm
l1 min.	66 mm
l2 max.	148 mm
r1 min.	0,3 mm
B	37 mm
C1	25 mm
Thread (G)	M30x2 Tolerance 6g
Angle	17 °
Weight	1,05 Kg
Basic dynamic load rating (C)	61 kN

SALKAC30M Bearing 2D drawings and 3D CAD models