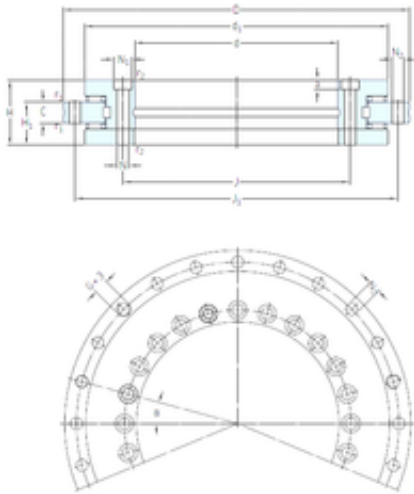




Timken BEARINGS INDUSTRY



NRT 395 A Bearing 2D drawings and 3D CAD models

SKF NRT 395 A thrust roller bearings

Bearing No. NRT 395 A

Size	395x525x20 mm
Bore Diameter	395 mm
Outer Diameter	525 mm
Width	20 mm
d	395 mm
D	525 mm
C	20 mm
H	65 mm
Suitable rotary table	800
a	8,2 mm
d1	486 mm
r1 min.	1 mm
r2 min.	1 mm
H1	42,5 mm
J	415 mm
N	9,3 mm
N1	15 mm
Thread (G)	M12
J1	505 mm
N2	9,3 mm
Weight	33 Kg
Dynamic load rating radial (C)	147 kN
Dynamic load rating axial (C)	166 kN
Static load rating radial (C0)	530 kN
Static load rating axial (C0)	1 960 kN



Timken BEARINGS INDUSTRY

(Grease) Lubrication Speed	90 r/min
(Oil) Lubrication Speed	180 r/min
Attachment holes nr. Inner ring	46
Attachment holes nr. Outer ring	45
Removal thread nr.	3
Pitch nr. x a	48x7,5
Retaining bolts. Size	M8