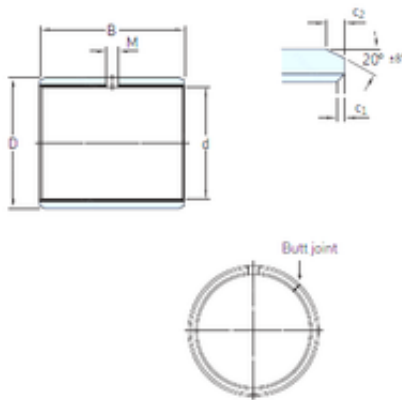




# Timken BEARINGS INDUSTRY

## 152,4 mm x 157,163 mm x 76,2 mm SKF PCZ 9648 E plain bearings



Bearing No. PCZ 9648 E

Size	152.4x157.163x76.2 mm
Bore Diameter	152,4 mm
Outer Diameter	157,163 mm
Width	76,2 mm
d	152,4 mm
D	157,163 mm
B	76,2 mm
c1 min	0,2 mm
c2 min	1,2 mm
M	– mm
Weight	0,67 Kg
Basic dynamic load rating (C)	915 kN
c <sub>1</sub> min.	0.2 mm
c <sub>1</sub> max.	1 mm
c <sub>2</sub> min.	1.2 mm
c <sub>2</sub> max.	2.4 mm
± 8	20 °
Shaft diameter range min.	152.337 mm
Shaft diameter range max.	152.4 mm
Housing bore range min.	157.119 mm
Housing bore range max.	157.16 mm
Basic dynamic load rating - radial direction C	915 kN
Basic static load rating - radial direction C <sub>0</sub>	2850 kN

PCZ 9648 E Bearing 2D drawings and 3D CAD models



## Timken BEARINGS INDUSTRY

Specific dynamic load factor $K$	80 N/mm <sup>2</sup>
Specific static load factor $K_0$	250 N/mm <sup>2</sup>
Factor depending on material and bearing type $K_M$	480
Permissible sliding velocity $v$ min.	0 m/s
Permissible sliding velocity $v$ max.	2 m/s
Coefficient of friction $\mu$ min.	0.03
Coefficient of friction $\mu$ max.	0.25
Mass bushing	0.67 kg