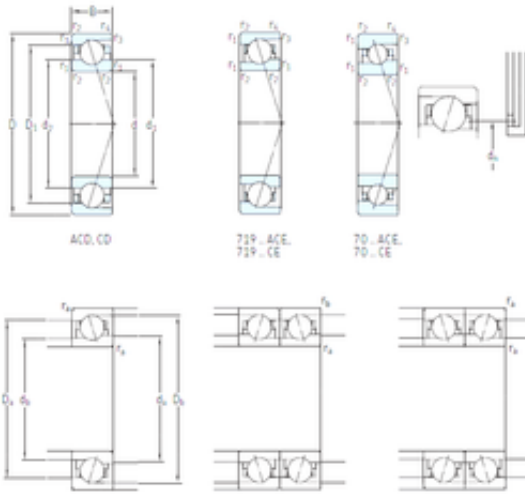




Timken BEARINGS INDUSTRY



35 mm x 62 mm x 14 mm SKF 7007 CD/P4A angular contact ball bearings

Bearing No. 7007 CD/P4A

7007 CD/P4A Bearing 2D drawings and 3D CAD models

Size	35x62x14 mm
Bore Diameter	35 mm
Outer Diameter	62 mm
Width	14 mm
d	35 mm
D	62 mm
B	14 mm
C	14 mm
d1	43,7 mm
d2	43,7 mm
r1 min.	1 mm
r2 min.	1 mm
r3 min.	0,3 mm
r4 min.	0,3 mm
D1	53,3 mm
D2	55,6 mm
da min.	39,6 mm
Da max.	57,4 mm
db min	39,6 mm
ra max.	1 mm
rb max.	0,3 mm
dh	45,3 mm
Db max	60 mm
Weight	0,15 Kg
Basic dynamic load rating (C)	15,6 kN



Timken BEARINGS INDUSTRY

Basic static load rating (C0)	9,5 kN
(Grease) Lubrication Speed	24 000 r/min
(Oil) Lubrication Speed	36 000 r/min
Fatigue load limit (Pu)	0,4
Category	Precision Ball Bearings
Inventory	0.0
Manufacturer Name	SKF
Minimum Buy Quantity	N/A
Weight / Kilogram	0.162
EAN	7316570644579
Product Group	B04270
Enclosure	Open
Precision Class	ABEC 7 ISO P4
Material - Ball	Steel
Number of Bearings	1 (Single)
Contact Angle	15 Degree
Preload	None
Raceway Style	1 Rib Outer Ring
Cage Material	Phenolic
Rolling Element	Ball Bearing
Flush Ground	No
Inch - Metric	Metric
Other Features	Single Row Angular Contact High Precision
Long Description	35MM Bore; 62MM Outside Diameter; 14MM Width; Open Enclosure; ABEC 7 ISO P4 Precision; Steel Ball Material; 1 (Single) Bearings; 15 Degree Contact Angle; Phenolic Cage Material; 1 Rib Outer Ring Rac
Category	Precision Ball Bearings
UNSPSC	31171531



Timken BEARINGS INDUSTRY

Harmonized Tariff Code	8482.10.50.28
Noun	Bearing
Keyword String	Angular Contact Ball
Manufacturer URL	http://www.skf.com
Manufacturer Item Number	7007 CD/P4A
Weight / LBS	0.355
Outside Diameter	2.441 Inch 62 Millimeter
Bore	1.378 Inch 35 Millimeter
Width	0.551 Inch 14 Millimeter
d_1	43.7 mm
d_2	43.7 mm
D_1	53.3 mm
$r_{1,2}$ min.	1 mm
$r_{3,4}$ min.	0.3 mm
a	13.6 mm
d_a min.	39.6 mm
d_b min.	39.6 mm
D_a max.	57.4 mm
D_b max.	60 mm
r_a max.	1 mm
r_b max.	0.3 mm
d_n	45.3 mm
Basic dynamic load rating C	15.6 kN
Basic static load rating C_0	9.5 kN
Fatigue load limit P_u	0.4 kN
Attainable speed for grease lubrication	24000 r/min
Attainable speed for oil-air lubrication	36000 r/min
Ball diameter D_w	7.938 mm
Number of balls z	16
Reference grease quantity G_{ref}	1.98 cm ³



Timken BEARINGS INDUSTRY

Preload class A G_A	60 N
Static axial stiffness, preload class A	36 N/ μ m
Preload class B G_B	120 N
Static axial stiffness, preload class B	47 N/ μ m
Preload class C G_C	240 N
Static axial stiffness, preload class C	64 N/ μ m
Preload class D G_D	480 N
Static axial stiffness, preload class D	90 N/ μ m
Calculation factor f	1.06
Calculation factor f_1	1
Calculation factor f_{2A}	1
Calculation factor f_{2B}	1.02
Calculation factor f_{2C}	1.05
Calculation factor f_{2D}	1.09
Calculation factor f_{HC}	1
Calculation factor f_0	9.7
Mass bearing	0.15 kg