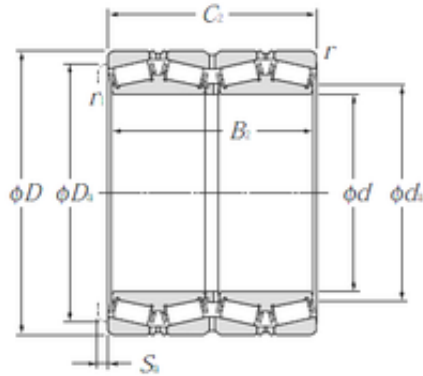




Timken BEARINGS INDUSTRY

288,925 mm x 406,4 mm x 298,45 mm NTN E-M255449D/M255410/M255410D tapered roller bearings



Bearing No. E-M255449D/M255410/M255410D

Size	288.925x406.4x298.45 mm
Bore Diameter	288,925 mm
Outer Diameter	406,4 mm
Width	298,45 mm
d	288,925 mm
D	406,4 mm
B	298,45 mm
C	298,45 mm
r min.	3,3 mm
r1 min.	3,3 mm
Da	379 mm
da	310 mm
Sa	5 mm
Weight	125 Kg
Basic dynamic load rating (C)	2 980 kN

E-M255449D/M255410/M255410D drawings and 3D CAD models

Bearing 2D