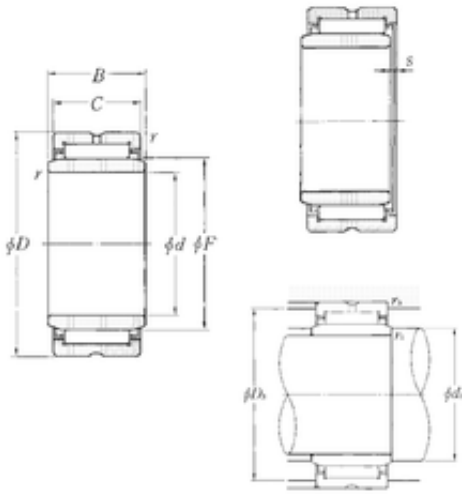




Timken BEARINGS INDUSTRY

31,75 mm x 52,388 mm x 25,65 mm NTN MR243316+MI-202416 needle roller bearings

Bearing No. MR243316+MI-202416



MR243316+MI-202416 Bearing 2D drawings and 3D CAD models

Size	31.75x52.388x25.65 mm
Bore Diameter	31,75 mm
Outer Diameter	52,388 mm
Width	25,65 mm
d	31,75 mm
F	38,1 mm
D	52,388 mm
B	25,65 mm
C	25,4 mm
r min.	1,5 mm
s	0,5 mm
da min.	37 mm
Da max.	46 mm
ra max.	1,5 mm
Weight	0,23 Kg
Basic dynamic load rating (C)	41 kN
Basic static load rating (C0)	61 kN
(Grease) Lubrication Speed	7 500 r/min