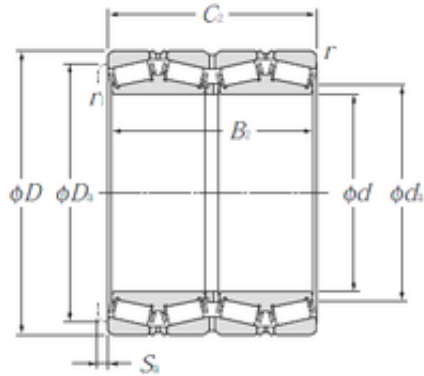




Timken BEARINGS INDUSTRY

360 mm x 508 mm x 370 mm NTN E-625972 tapered roller bearings



Bearing No. E-625972

Size	360x508x370 mm
Bore Diameter	360 mm
Outer Diameter	508 mm
Width	370 mm
d	360 mm
D	508 mm
B	370 mm
C	370 mm
r min.	5 mm
r1 min.	6 mm
Da	466,5 mm
da	394 mm
Sa	7 mm
Weight	236 Kg
Basic dynamic load rating (C)	3 700 kN

E-625972 Bearing 2D drawings and 3D CAD models