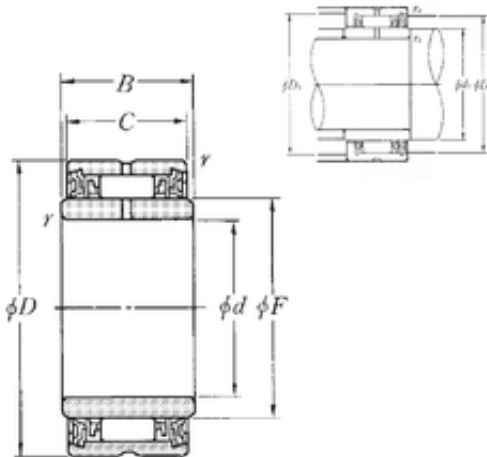




Timken BEARINGS INDUSTRY

NTN NA4910LL needle roller bearings

Bearing No. NA4910LL



NA4910LL Bearing 2D drawings and 3D CAD models

Size	58x72x23 mm
Bore Diameter	58 mm
Outer Diameter	72 mm
Width	23 mm
F	58 mm
Fw	50 mm
D	72 mm
B	23 mm
C	22 mm
r min.	0,6 mm
da min.	54 mm
Da max.	61 mm
ra max.	0,6 mm
Db max	68 mm
Weight	0,295 Kg
Basic dynamic load rating (C)	30,5 kN
Basic static load rating (C0)	64 kN
Category	Bearings
Inventory	0.0
Manufacturer Name	NTN
Minimum Buy Quantity	N/A
Weight / Kilogram	0.319
EAN	4547359113242
Product Group	B04144