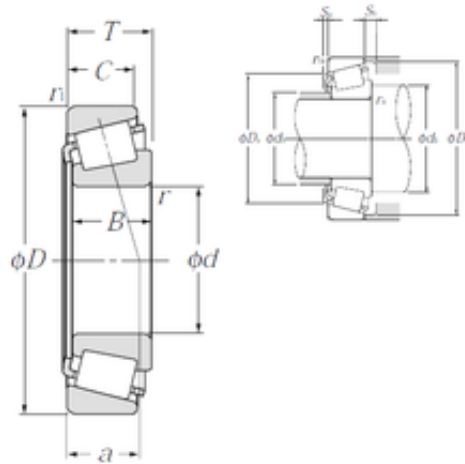




Timken BEARINGS INDUSTRY



80 mm x 140 mm x 46 mm NTN 33216U tapered roller bearings

Bearing No. 33216U

33216U Bearing 2D drawings and 3D CAD models

Size	80x140x46 mm
Bore Diameter	80 mm
Outer Diameter	140 mm
Width	46 mm
d	80 mm
D	140 mm
T	46 mm
B	46 mm
C	35 mm
ra1 max.	2 mm
a	35 mm
r min.	2,5 mm
r1 min.	2 mm
da min.	92 mm
Da min	119 mm
Da max.	130 mm
db max.	89 mm
Db min.	135 mm
ra max.	2 mm
Sa	7 mm
Sb	11 mm
Weight	2,92 Kg
Basic dynamic load rating (C)	250 kN
Basic static load rating (C0)	365 kN
(Grease) Lubrication Speed	2 500 r/min



Timken BEARINGS INDUSTRY

(Oil) Lubrication Speed	3 400 r/min
Calculation factor (e)	0,43
Calculation factor (Y0)	0,78
d1	110.5 mm
rs min	2.5 mm
r1s min	2 mm
e	0.43
Y2	1.41
Y0	0.78
Mass	2.92 kg
ISO 355 reference	T3EE080
Dynamic load, C	250 kN
Rating life coefficient, A2	1
Static load, C0	365 kN
Fatigue limit load, Cu	43.3 kN
Nlim (oil)	3,400 rpm
Nlim (grease)	2,500 rpm
Min operating temperature, Tmin	-40 ° C
Max operating temperature, Tmax	120 ° C
Characteristic cage frequency, FTF	0.43 Hz
Characteristic rolling element frequency, BSF	6.97 Hz
Characteristic outer ring frequency, BPF0	8.64 Hz
Characteristic inner ring frequency, BRFI	11.36 Hz
da max	89 mm
db min	92 mm
Da max	130 mm
Db min	135 mm
Ca min	7 mm



Timken BEARINGS INDUSTRY

Cb min	11 mm
ra max	2 mm
r1a max	2 mm
Category	Bearings
Inventory	0.0
Manufacturer Name	NTN
Minimum Buy Quantity	N/A
Weight / Kilogram	0
EAN	4547359530728
Product Group	B04334