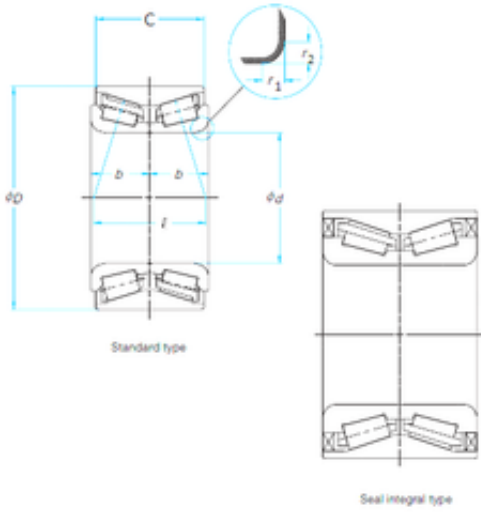




Timken BEARINGS INDUSTRY



45 mm x 90 mm x 54 mm NTN 4T-CRI-0966
CS130PX1/L588 tapered roller bearings

Bearing No. 4T-CRI-0966 CS130PX1/L588

Size	45x90x54 mm
Bore Diameter	45 mm
Outer Diameter	90 mm
Width	54 mm
d	45 mm
D	90 mm
B	54 mm
C	51 mm

4T-CRI-0966 CS130PX1/L588 Bearing 2D drawings and
3D CAD models