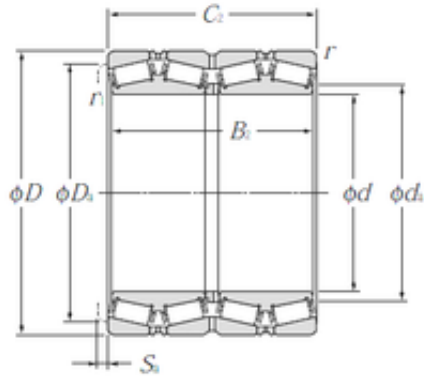




# Timken BEARINGS INDUSTRY

340 mm x 480 mm x 350 mm NTN E-625968 tapered roller bearings



Bearing No. E-625968

Size	340x480x350 mm
Bore Diameter	340 mm
Outer Diameter	480 mm
Width	350 mm
d	340 mm
D	480 mm
B	350 mm
C	350 mm
r min.	5 mm
r1 min.	6 mm
Da	440 mm
da	373 mm
Sa	7 mm
Weight	200 Kg
Basic dynamic load rating (C)	3 450 kN

E-625968 Bearing 2D drawings and 3D CAD models