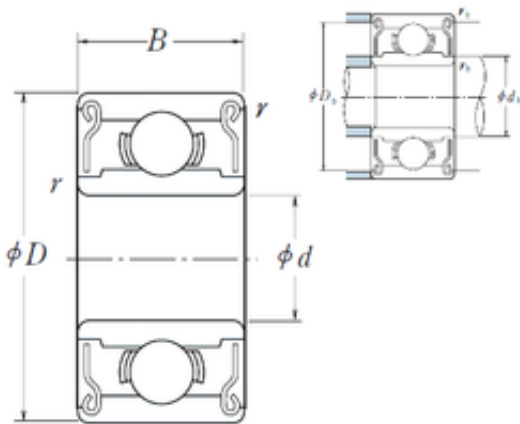




# Timken BEARINGS INDUSTRY

## 8 mm x 22 mm x 7 mm NSK 608 ZZ deep groove ball bearings

Bearing No. 608 ZZ



608 ZZ Bearing 2D drawings and 3D CAD models

Size	8x22x7 mm
Bore Diameter	8 mm
Outer Diameter	22 mm
Width	7 mm
d	8 mm
D	22 mm
B	7 mm
C	7 mm
r min.	0,3 mm
db max.	10,5 mm
Db min.	19 mm
rb max.	0,3 mm
Weight	0,0122 Kg
Basic dynamic load rating (C)	3,3 kN
Basic static load rating (C0)	1,37 kN
bore diameter:	8 mm
dynamic load capacity:	740 lbs
outside diameter:	22 mm
static load capacity:	310 lbs
overall width:	7 mm
bearing material:	Steel
bore type:	Round
maximum rpm (grease):	34000 rpm
closure type:	Double Shielded
maximum rpm (oil):	40000 rpm



## Timken BEARINGS INDUSTRY

row type & fill slot:	Single Row Non-Fill Slot
manufacturer catalog:	<a href="#">Click here</a>
snap ring included:	Without Snap Ring
manufacturer upc number:	029176013539
internal clearance:	C0