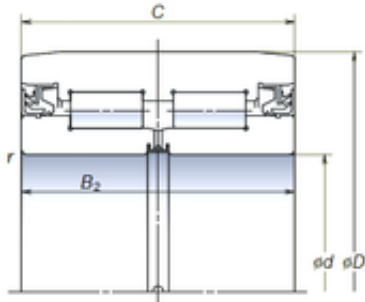




# Timken BEARINGS INDUSTRY

160,11 mm x 250 mm x 155 mm NSK 2J160Z-5  
cylindrical roller bearings



Bearing No. 2J160Z-5

Size	160.11x250x155 mm
Bore Diameter	160,11 mm
Outer Diameter	250 mm
Width	155 mm
d	160,11 mm
D	250 mm
B	155 mm
C	150 mm
r min.	2,1 mm
Basic dynamic load rating (C)	610 kN

2J160Z-5 Bearing 2D drawings and 3D CAD models