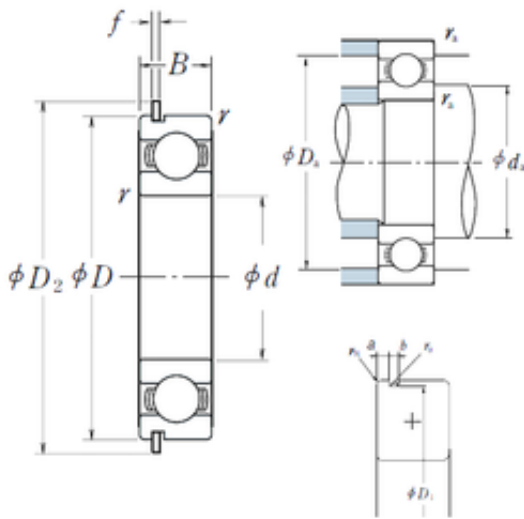




Timken BEARINGS INDUSTRY

65 mm x 100 mm x 18 mm NSK 6013NR deep groove ball bearings

Bearing No. 6013NR



6013NR Bearing 2D drawings and 3D CAD models

Size	65x100x18 mm
Bore Diameter	65 mm
Outer Diameter	100 mm
Width	18 mm
d	65 mm
D	100 mm
B	18 mm
C	18 mm
rn	0,5 mm
a	2,87 mm
b	2,7 mm
f	2,46 mm
r min.	1,1 mm
r0 max.	0,6 mm
D1	96,8 mm
D2	106,5 mm
da min.	71,5 mm
da max	73 mm
Da max.	93,5 mm
ra max.	1 mm
Weight	0,439 Kg
Basic dynamic load rating (C)	30,5 kN
Basic static load rating (C0)	25,2 kN
(Grease) Lubrication Speed	6 700 r/min
(Oil) Lubrication Speed	8 000 r/min



Timken BEARINGS INDUSTRY

Category	Single Row Ball Bearings
Inventory	0.0
Manufacturer Name	NSK
Minimum Buy Quantity	N/A
Weight / Kilogram	0.43
EAN	0029176034336
Product Group	B00308
Enclosure	Open
Precision Class	ABEC 1 ISO P0
Maximum Capacity / Filling Slot	No
Rolling Element	Ball Bearing
Snap Ring	Yes
Internal Special Features	No
Cage Material	Steel
Internal Clearance	C0-Medium
Inch - Metric	Metric
Long Description	65MM Bore; 100MM Outside Diameter; 18MM Outer Race Diameter; Open; Ball Bearing; ABEC 1 ISO P0; No Filling Slot; Yes Snap Ring; No Internal Special Features
Category	Single Row Ball Bearing
UNSPSC	31171504
Harmonized Tariff Code	8482.10.50.68
Noun	Bearing
Keyword String	Ball
Manufacturer URL	http://www.nskamericas.com
Manufacturer Item Number	6013NR
Weight / LBS	0.435
Bore	2.559 Inch 65 Millimeter
Outer Race Width	0.709 Inch 18 Millimeter



Timken BEARINGS INDUSTRY

Outside Diameter	3.937 Inch 100 Millimeter
bore diameter:	65 mm
static load capacity:	25200 N
outside diameter:	100 mm
precision rating:	Not Rated
overall width:	18 mm
finish/coating:	Uncoated
bore type:	Round
cage material:	Steel
closure type:	Open
outer ring width:	18 mm
row type & fill slot:	Single Row Non-Fill Slot
fillet radius:	1.1 mm
snap ring included:	With Snap Ring
maximum rpm:	8000 RPM
internal clearance:	C0
series:	60
dynamic load capacity:	30500 N
SRI	5.34
hidYobi	6013NR
LangID	1
ro	0.6
D_	100
SREX	0.025
B_	18
da min	71.5
hidTable	ecat_NSRDGB
Oil rpm	8000
SRE	5.34
Cy	5
mass	0.439
GRS rpm	6700



Timken BEARINGS INDUSTRY

ra	1
SRIX	0.025
D_a	93.5
SRIN	-0.025
C0	25.2
fo	15.8
SREN	-0.025
DE_	92.819
Prod_Type3	DGBB_SR_NR_OT
DA_	10.319
bomp	0
Z_	15
yobi	6013NR
Dx	108
C_conv	30500
ALPHA_	0
SDM_	82.5
r	1.1
KBRG	6101
SBRG	10
DI_	72.181