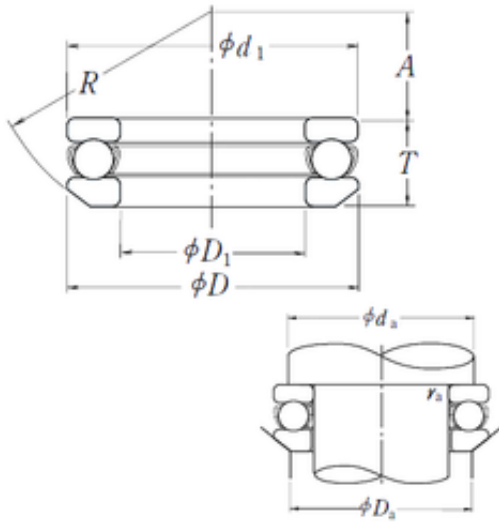




Timken BEARINGS INDUSTRY



NSK 53210 thrust ball bearings

Bearing No. 53210

| | |
|-------------------------------|---------------------|
| Size | 50x78x23.5 mm |
| Bore Diameter | 50 mm |
| Outer Diameter | 78 mm |
| Width | 23,5 mm |
| d | 50 mm |
| D | 78 mm |
| T | 23,5 mm |
| d1 | 78 mm |
| r min. | 1 mm |
| A | 32,5 mm |
| D1 | 52 mm |
| R | 64 mm |
| da min. | 67 mm |
| Da max. | 61 mm |
| ra max. | 1 mm |
| Weight | 0,404 Kg |
| Basic dynamic load rating (C) | 49 kN |
| Basic static load rating (C0) | 111 kN |
| (Grease) Lubrication Speed | 2400 r/min |
| Category | Thrust Ball Bearing |
| Inventory | 0.0 |
| Manufacturer Name | NSK |
| Minimum Buy Quantity | N/A |
| Weight / Kilogram | 0.47 |
| EAN | 0029176088186 |
| Product Group | B00308 |

53210 Bearing 2D drawings and 3D CAD models



Timken BEARINGS INDUSTRY

| | |
|-------------------------------------|---|
| Rolling Element | Ball Bearing |
| Thrust Bearing | Yes |
| Single or Double Direction | Single Direction |
| Banded | No |
| Cage Material | Steel |
| Precision Class | Non-Precision |
| Component Description | Roller Assembly Plus Raceways |
| Other Features | Single Row With Aligning Seat |
| Long Description | 50MM Bore 1; 52MM Bore 2; 78MM Outside Diameter; 24MM Height; Ball Bearing; Single Direction; Not Banded; Steel Cage; Non-Precision |
| Inch - Metric | Metric |
| Category | Thrust Ball Bearings |
| UNSPSC | 31171552 |
| Harmonized Tariff Code | 8482.10.50.08 |
| Noun | Bearing |
| Keyword String | Ball Thrust |
| Manufacturer URL | http://www.nskamericas.com |
| Manufacturer Item Number | 53210 |
| Weight / LBS | 0.89067 |
| Overall Height with Aligning Washer | 0 Inch 0 Millimeter |
| Outside Diameter | 3.071 Inch 78 Millimeter |
| Height | 0.945 Inch 24 Millimeter |
| Bore 2 | 2.047 Inch 52 Millimeter |
| Bore 1 | 1.969 Inch 50 Millimeter |
| bore diameter: | 50 mm |
| precision rating: | Not Rated |
| outside diameter: | 78 mm |



Timken BEARINGS INDUSTRY

| | |
|--------------------------|------------------|
| static load capacity: | 11400 kg |
| overall width: | 23.5 mm |
| dynamic load capacity: | 5000 kg |
| thrust bearing type: | Single-Direction |
| maximum rpm: | 3600 RPM |
| outside diameter design: | Sphered |
| cage material: | Steel |
| separable or banded: | Separable |
| fillet radius: | 1 mm |
| race type: | Grooved |
| series: | 532 |
| SRI | 5.6 |
| hidYobi | 53210 |
| LangID | 1 |
| D_ | 78 |
| SREX | 0.05 |
| C | 49 |
| B_ | 23.5 |
| hidTable | ecat_NSSDTB |
| Oil rpm | 3600 |
| SRE | 5.6 |
| mass | 0.404 |
| GRS rpm | 2400 |
| ra | 1 |
| SRIX | 0.05 |
| D_a | 61 |
| SRIN | 0 |
| C0 | 111 |
| SREN | 0 |
| D_1 | 52 |
| Prod_Type3 | TB_SD_WAS |
| da | 67 |
| | |



Timken BEARINGS INDUSTRY

| | |
|------|--------|
| DA_ | 10.319 |
| Z_ | 17 |
| yobi | 53210 |
| A_ | 32.5 |
| T3 | 23.5 |
| SDM_ | 64 |
| r | 1 |
| KBRG | 5121 |
| R_ | 64 |