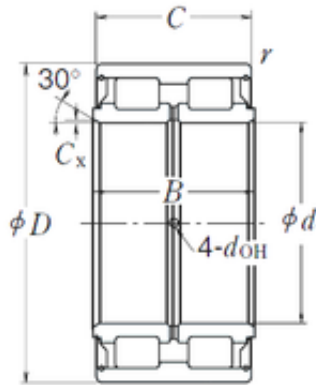




Timken BEARINGS INDUSTRY

380 mm x 560 mm x 243 mm NSK RS-5076 cylindrical roller bearings



Bearing No. RS-5076

Size	380x560x243 mm
Bore Diameter	380 mm
Outer Diameter	560 mm
Width	243 mm
d	380 mm
D	560 mm
B	243 mm
C	241 mm
r min.	2 mm
C2	2,1 mm
Weight	196 Kg
Basic dynamic load rating (C)	3550 kN
Basic static load rating (C0)	8400 kN
hidYobi	RS-5076
LangID	1
D_	560
B_	243
hidTable	ecat_NSCLDRSG
Cx	2.1
mass	196
GRS rpm	240
da_min	392
C0	8400
DE_	520
Prod_Type3	CRB_FRFS_PT_WOLR

RS-5076 Bearing 2D drawings and 3D CAD models



Timken BEARINGS INDUSTRY

DA_	45
Z_	33
r_min	2
yobi	RS-5076
SDM_	475
r	241
KBRG	4220
DI_	430
doh	10