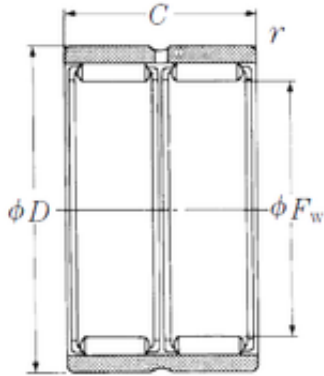




Timken BEARINGS INDUSTRY

NSK RNAFW162420 needle roller bearings



Bearing No. RNAFW162420

Size	16x24x20 mm
Bore Diameter	16 mm
Outer Diameter	24 mm
Width	20 mm
Fw	16 mm
D	24 mm
C	20 mm
r min.	0,3 mm
Weight	0,034 Kg
Basic dynamic load rating (C)	12,6 kN
Basic static load rating (C0)	18 kN

RNAFW162420 Bearing 2D drawings and 3D CAD models