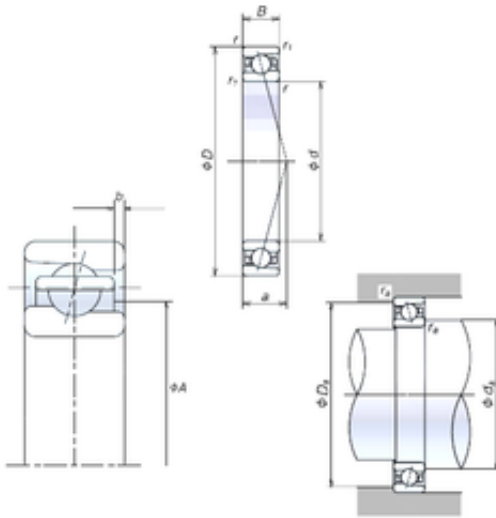




Timken BEARINGS INDUSTRY

40 mm x 62 mm x 12 mm NSK 40BNR19H
angular contact ball bearings



Bearing No. 40BNR19H

Size	40x62x12 mm
Bore Diameter	40 mm
Outer Diameter	62 mm
Width	12 mm
d	40 mm
D	62 mm
B	12 mm
C	12 mm
Angle (°)	18 °
a	14,3 mm
b	0,5 mm
r min.	0,6 mm
r1 min.	0,3 mm
A	48 mm
da min.	45 mm
Da max.	57 mm
ra max.	0,6 mm
Weight	0,092 Kg
Basic dynamic load rating (C)	11,5 kN
Basic static load rating (C0)	7,65 kN
(Grease) Lubrication Speed	35300 r/min

40BNR19H Bearing 2D drawings and 3D CAD models