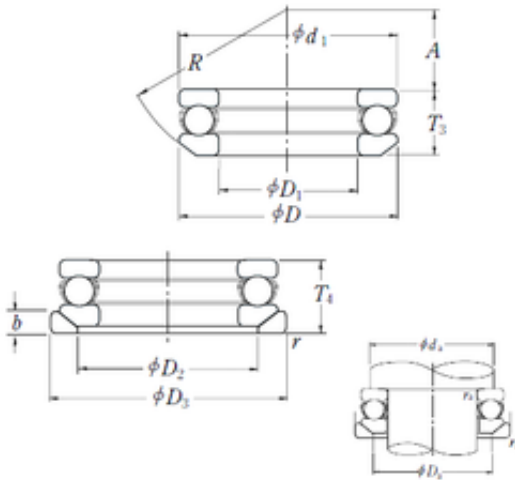




Timken BEARINGS INDUSTRY

NSK 53305U thrust ball bearings

Bearing No. 53305U



53305U Bearing 2D drawings and 3D CAD models

Size	25x52x22 mm
Bore Diameter	25 mm
Outer Diameter	52 mm
Width	22 mm
d	25 mm
D	52 mm
T	22 mm
b	6 mm
d1	52 mm
r min.	1 mm
A	21 mm
D1	27 mm
D2	38 mm
D3	55 mm
R	45 mm
da min.	41 mm
Da max.	36 mm
ra max.	1 mm
Weight	0,224 Kg
Basic dynamic load rating (C)	36 kN
Basic static load rating (C0)	61,5 kN
(Grease) Lubrication Speed	3200 r/min
SRI	5.15
hidYobi	53305U
LangID	1
D_	52



Timken BEARINGS INDUSTRY

SREX	0.04
C	36
B_	22
hidTable	ecat_NSSDTB
Oil rpm	5000
SRE	5.15
mass	0.224
GRS rpm	3200
ra	1
SRIX	0.04
T4	22
D_3	55
D_a	36
SRIN	0
C0	61.5
D_2	38
SREN	0
D_1	27
Prod_Type3	TB_SD_WASW
da	41
DA_	9.525
Z_	11
yobi	53305U
A_	21
T3	19.8
SDM_	38.5
r	1
KBRG	5131
R_	45