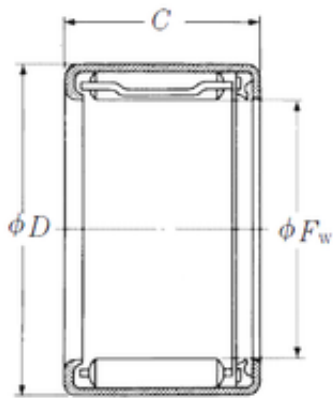




Timken BEARINGS INDUSTRY

NSK FJLT-4018 needle roller bearings



Bearing No. FJLT-4018

Size	40x50x18 mm
Bore Diameter	40 mm
Outer Diameter	50 mm
Width	18 mm
Fw	40 mm
D	50 mm
C	18 mm
Weight	0,054 Kg
Basic dynamic load rating (C)	19,9 kN

FJLT-4018 Bearing 2D drawings and 3D CAD models