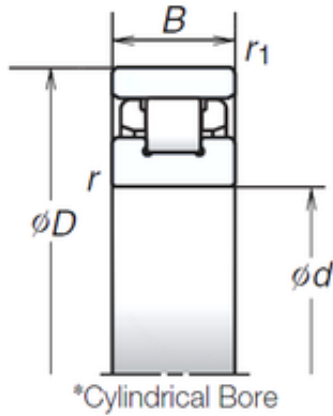




Timken BEARINGS INDUSTRY

85 mm x 130 mm x 22 mm NSK N1017RSZTP cylindrical roller bearings



Bearing No. N1017RSZTP

Size	85x118x22 mm
Bore Diameter	85 mm
Outer Diameter	118 mm
Width	22 mm
d	85 mm
D	130 mm
E	118 mm
B	22 mm
C	22 mm
r min.	1,1 mm
Weight	0,87 Kg
Basic dynamic load rating (C)	38,5 kN
Basic static load rating (C0)	43 kN
(Grease) Lubrication Speed	8 800 r/min

N1017RSZTP Bearing 2D drawings and 3D CAD models