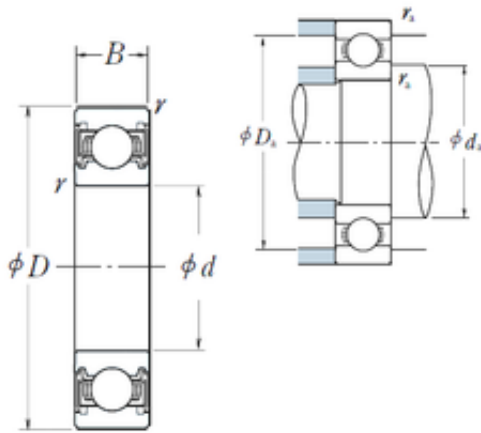




# Timken BEARINGS INDUSTRY



10 mm x 35 mm x 11 mm NSK 6300VV deep groove ball bearings

Bearing No. 6300VV

6300VV Bearing 2D drawings and 3D CAD models

Size	10x35x11 mm
Bore Diameter	10 mm
Outer Diameter	35 mm
Width	11 mm
d	10 mm
D	35 mm
B	11 mm
C	11 mm
r min.	0,6 mm
da min.	14 mm
da max	16,5 mm
Da max.	31 mm
ra max.	0,6 mm
Weight	0,052 Kg
Basic dynamic load rating (C)	8,1 kN
Basic static load rating (C0)	3,45 kN
(Grease) Lubrication Speed	22 000 r/min
Category	Single Row Ball Bearings
Inventory	0.0
Manufacturer Name	NSK
Minimum Buy Quantity	N/A
Weight / Kilogram	0.02
EAN	0029176016172
Product Group	B00308
Enclosure	2 Seals



## Timken BEARINGS INDUSTRY

Precision Class	ABEC 1   ISO P0
Maximum Capacity / Filling Slot	No
Rolling Element	Ball Bearing
Snap Ring	No
Internal Special Features	No
Cage Material	Steel
Enclosure Type	Non-Contact Seal
Internal Clearance	C0-Medium
Inch - Metric	Metric
Long Description	10MM Bore; 35MM Outside Diameter; 11MM Outer Race Diameter; 2 Seals; Ball Bearing; ABEC 1   ISO P0; No Filling Slot; No Snap Ring; No Internal Special Features
Category	Single Row Ball Bearing
UNSPSC	31171504
Harmonized Tariff Code	8482.10.50.68
Noun	Bearing
Keyword String	Ball
Manufacturer URL	<a href="http://www.nskamericas.com">http://www.nskamericas.com</a>
Manufacturer Item Number	6300VV
Weight / LBS	0.053
Outside Diameter	1.378 Inch   35 Millimeter
Bore	0.394 Inch   10 Millimeter
Outer Race Width	0.433 Inch   11 Millimeter
SRI	3.61
hidYobi	6300VV
LangID	1
D_	35
SREX	0.04
B_	11



## Timken BEARINGS INDUSTRY

da min	14
hidTable	ecat_NSRDGB
SRE	3.86
mass	0.052
GRS rpm	22000
ra	0.6
SRIX	0.02
D_a	31
SRIN	0
C0	3.45
fo	11.2
SREN	0
DE_	29.644
Prod_Type3	DGBB_SR_VV
DA_	7.144
bomp	0
Z_	6
yobi	6300VV
C_conv	8100
ALPHA_	0
SDM_	22.5
r	0.6
KBRG	6151
SBRG	3
DI_	15.356