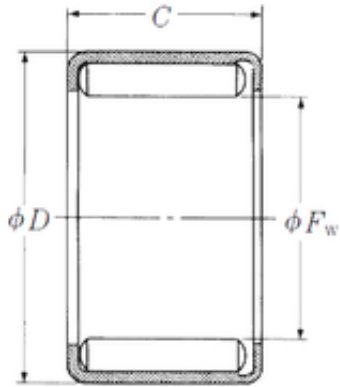




Timken BEARINGS INDUSTRY

NSK Y-228 needle roller bearings



Bearing No. Y-228

| | |
|-------------------------------|-----------------------|
| Size | 34.925x41.275x12.7 mm |
| Bore Diameter | 34,925 mm |
| Outer Diameter | 41,275 mm |
| Width | 12,7 mm |
| Fw | 34,925 mm |
| D | 41,275 mm |
| C | 12,7 mm |
| Weight | 0,036 Kg |
| Basic dynamic load rating (C) | 20 kN |

Y-228 Bearing 2D drawings and 3D CAD models