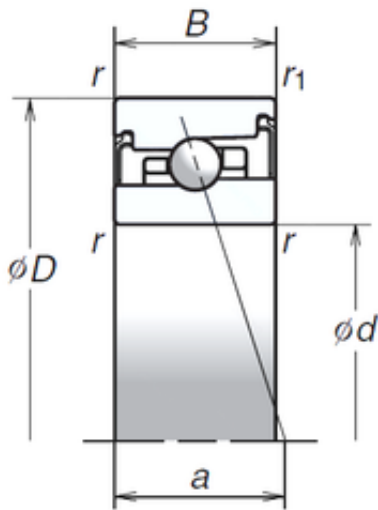




# Timken BEARINGS INDUSTRY



60 mm x 95 mm x 22 mm NSK 60BER20XV1V  
angular contact ball bearings

Bearing No. 60BER20XV1V

|                               |              |
|-------------------------------|--------------|
| Size                          | 60x95x22 mm  |
| Bore Diameter                 | 60 mm        |
| Outer Diameter                | 95 mm        |
| Width                         | 22 mm        |
| d                             | 60 mm        |
| D                             | 95 mm        |
| B                             | 22 mm        |
| C                             | 22 mm        |
| Angle ( ° )                   | 25 °         |
| a                             | 29,1 mm      |
| r min.                        | 1,1 mm       |
| r1 min.                       | 0,6 mm       |
| Weight                        | 0,512 Kg     |
| Basic dynamic load rating (C) | 15 kN        |
| Basic static load rating (C0) | 13,1 kN      |
| (Grease) Lubrication Speed    | 24 600 r/min |

60BER20XV1V Bearing 2D drawings and 3D CAD models