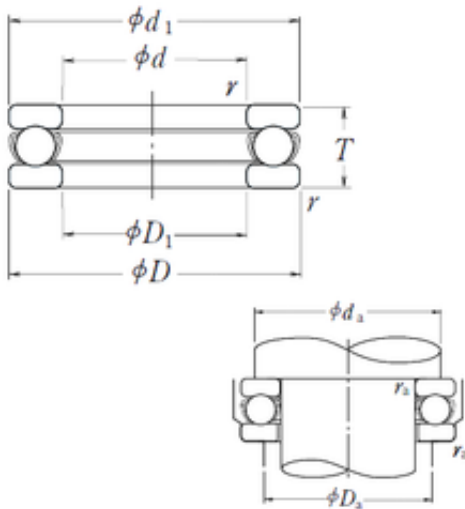




# Timken BEARINGS INDUSTRY



## NSK 51332X thrust ball bearings

Bearing No. 51332X

Size	160x270x87 mm
Bore Diameter	160 mm
Outer Diameter	270 mm
Width	87 mm
d	160 mm
D	270 mm
T	87 mm
d1	265 mm
r min.	3 mm
D1	164 mm
da min.	225 mm
Da max.	205 mm
ra max.	2,5 mm
Weight	19,6 Kg
Basic dynamic load rating (C)	475 kN
Basic static load rating (C0)	1570 kN
(Grease) Lubrication Speed	600 r/min
SRI	22.3
hidYobi	51332X
LangID	1
D_	270
SREX	0.16
C	475
B_	87
hidTable	ecat_NSSDTB
Oil rpm	900

51332X Bearing 2D drawings and 3D CAD models



## Timken BEARINGS INDUSTRY

SRE	22.3
mass	19.6
GRS rpm	600
ra	2.5
SRIX	0.16
D_a	205
SRIN	0
C0	1570
SREN	0
D_1	164
Prod_Type3	TB_SD_WFS
da	225
DA_	41.275
Z_	15
yobi	51332X
SDM_	215
r	3
T_	87
KBRG	5111