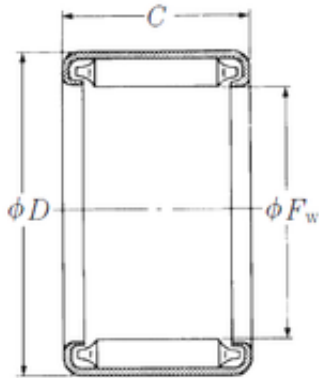




Timken BEARINGS INDUSTRY

NSK JH-68 needle roller bearings



Bearing No. JH-68

Size	9.525x15.875x12.7 mm
Bore Diameter	9,525 mm
Outer Diameter	15,875 mm
Width	12,7 mm
Fw	9,525 mm
D	15,875 mm
C	12,7 mm
Weight	0,0082 Kg
Basic dynamic load rating (C)	6,65 kN

JH-68 Bearing 2D drawings and 3D CAD models