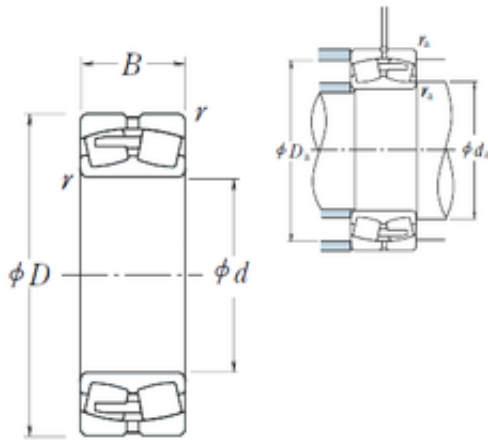




Timken BEARINGS INDUSTRY

630 mm x 850 mm x 165 mm NSK
239/630CAE4 spherical roller bearings



Bearing No. 239/630CAE4

Size	630x850x165 mm
Bore Diameter	630 mm
Outer Diameter	850 mm
Width	165 mm
d	630 mm
D	850 mm
B	165 mm
C	165 mm
r min.	6 mm
da min.	658 mm
Da min	786 mm
Da max.	822 mm
ra max.	5 mm
Weight	259 Kg
Basic dynamic load rating (C)	4000 kN
Basic static load rating (C0)	9350 kN
(Grease) Lubrication Speed	300 r/min
(Oil) Lubrication Speed	360 r/min
Calculation factor (e)	0,18
Calculation factor (Y0)	3,7
Calculation factor (Y2)	5,6

239/630CAE4 Bearing 2D drawings and 3D CAD models