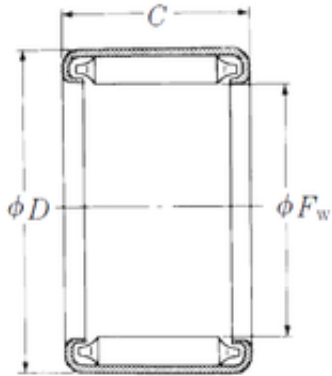




Timken BEARINGS INDUSTRY

NSK B-66 needle roller bearings

Bearing No. B-66



Size	9.525x14.288x9.52 mm
Bore Diameter	9,525 mm
Outer Diameter	14,288 mm
Width	9,52 mm
Fw	9,525 mm
D	14,288 mm
C	9,52 mm
Weight	0,005 Kg
Basic dynamic load rating (C)	5,55 kN

B-66 Bearing 2D drawings and 3D CAD models