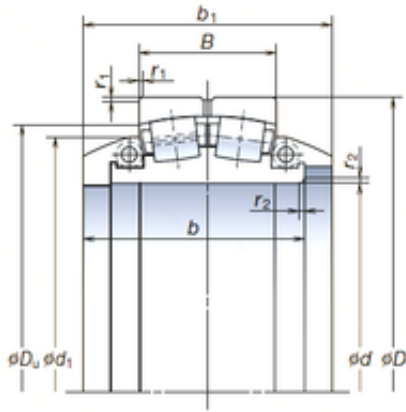




Timken BEARINGS INDUSTRY

1 400 mm x 1 900 mm x 530 mm NSK
1400SLPT1951 spherical roller bearings



Bearing No. 1400SLPT1951

Size	1400x1900x530 mm
Bore Diameter	1400 mm
Outer Diameter	1900 mm
Width	530 mm
d	1 400 mm
D	1 900 mm
B	530 mm
b	880 mm
b1	880 mm
d1	1 680 mm
r1 min.	12 mm
r2 min.	31 mm
Basic dynamic load rating (C)	22 800 kN

1400SLPT1951 Bearing 2D drawings and 3D CAD models