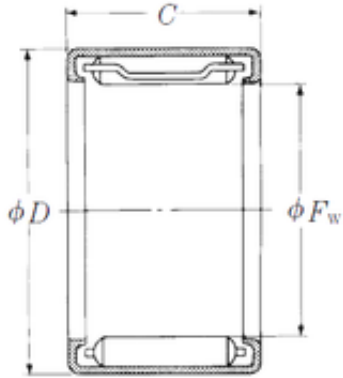




Timken BEARINGS INDUSTRY

NSK FJL-2830L needle roller bearings



Bearing No. FJL-2830L

Size	28x37x30 mm
Bore Diameter	28 mm
Outer Diameter	37 mm
Width	30 mm
Fw	28 mm
D	37 mm
C	30 mm
Weight	0,065 Kg
Basic dynamic load rating (C)	39 kN

FJL-2830L Bearing 2D drawings and 3D CAD models