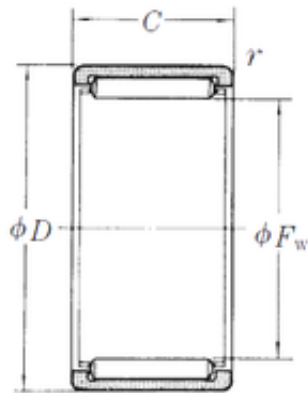




Timken BEARINGS INDUSTRY

NSK RLM253320 needle roller bearings



Bearing No. RLM253320

Size	25x33x20 mm
Bore Diameter	25 mm
Outer Diameter	33 mm
Width	20 mm
Fw	25 mm
D	33 mm
C	20 mm
r min.	0,5 mm
Weight	0,04 Kg
Basic dynamic load rating (C)	21,5 kN
Basic static load rating (C0)	31 kN

RLM253320 Bearing 2D drawings and 3D CAD models