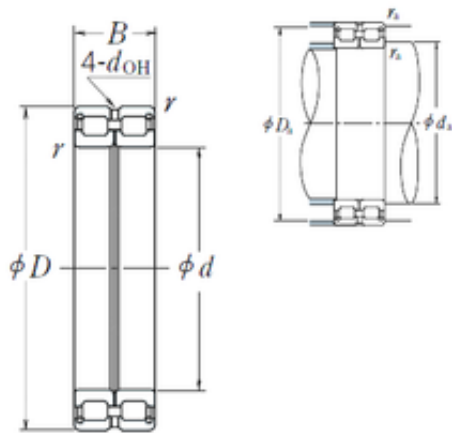




Timken BEARINGS INDUSTRY

530 mm x 710 mm x 180 mm NSK RS-49/530E4 cylindrical roller bearings



Bearing No. RS-49/530E4

RS-49/530E4 Bearing 2D drawings and 3D CAD models

Size	530x710x180 mm
Bore Diameter	530 mm
Outer Diameter	710 mm
Width	180 mm
d	530 mm
D	710 mm
B	180 mm
C	180 mm
r min.	5 mm
da min.	550 mm
Da max.	690 mm
ra max.	4 mm
Weight	206 Kg
Basic dynamic load rating (C)	3400 kN
Basic static load rating (C0)	9200 kN
(Grease) Lubrication Speed	160 r/min
hidYobi	RS-49/530E4
LangID	1
D_	710
B_	180
hidTable	ecat_NSCLDRS
Oil rpm	160
mass	206
GRS rpm	320
ra	4



Timken BEARINGS INDUSTRY

da_min	550
C0	9200
DE_	660
Prod_Type3	CRB_FRFS_OT_FIX
DA_	42
Z_	46
yobi	RS-49/530E4
da_max	690
SDM_	618
r	5
KBRG	4220
disp	11
DI_	576
doh	12