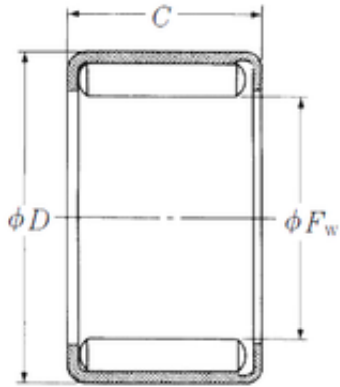




Timken BEARINGS INDUSTRY

NSK Y-2220 needle roller bearings



Bearing No. Y-2220

Size	34.925x41.275x31.75 mm
Bore Diameter	34,925 mm
Outer Diameter	41,275 mm
Width	31,75 mm
Fw	34,925 mm
D	41,275 mm
C	31,75 mm
Weight	0,076 Kg
Basic dynamic load rating (C)	47 kN

Y-2220 Bearing 2D drawings and 3D CAD models