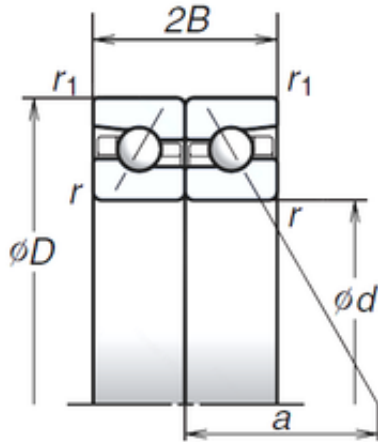




# Timken BEARINGS INDUSTRY

110 mm x 170 mm x 27 mm NSK 110BAR10H angular contact ball bearings



Bearing No. 110BAR10H

Size	110x170x27 mm
Bore Diameter	110 mm
Outer Diameter	170 mm
Width	27 mm
d	110 mm
D	170 mm
B	27 mm
C	27 mm
Angle ( ° )	30 °
a	53,9 mm
r min.	2 mm
r1 min.	1 mm
2B	54 mm
Weight	1,972 Kg
Basic dynamic load rating (C)	55,5 kN
Basic static load rating (C0)	131 kN
(Grease) Lubrication Speed	6 100 r/min
(Oil) Lubrication Speed	7 500 r/min

110BAR10H Bearing 2D drawings and 3D CAD models