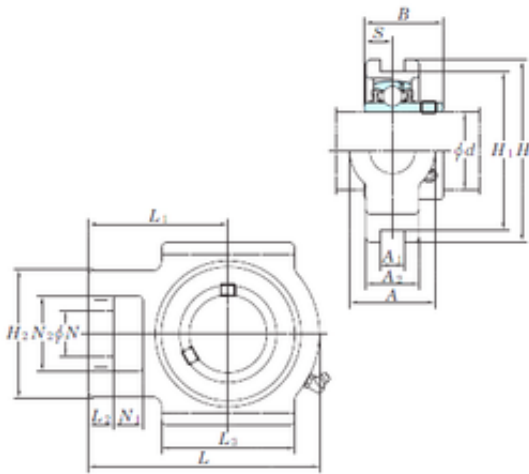




Timken BEARINGS INDUSTRY



KOYO UCTX06-19E bearing units

Bearing No. UCTX06-19E

| | |
|-------------------------------|------------|
| Bore Diameter | 30,1625 mm |
| d | 30,1625 mm |
| L2 | 13 mm |
| L3 | 64 mm |
| A | 37 mm |
| A1 | 13,5 mm |
| B | 42,9 mm |
| H | 102 mm |
| H1 | 88,9 mm |
| H2 | 64 mm |
| L | 129 mm |
| L1 | 78 mm |
| N | 22 mm |
| N1 | 16 mm |
| S | 17,5 mm |
| A2 | 30 mm |
| N2 | 37 mm |
| Weight | 1,7 Kg |
| Basic dynamic load rating (C) | 25,7 kN |
| Basic static load rating (C0) | 15,4 kN |

UCTX06-19E Bearing 2D drawings and 3D CAD models