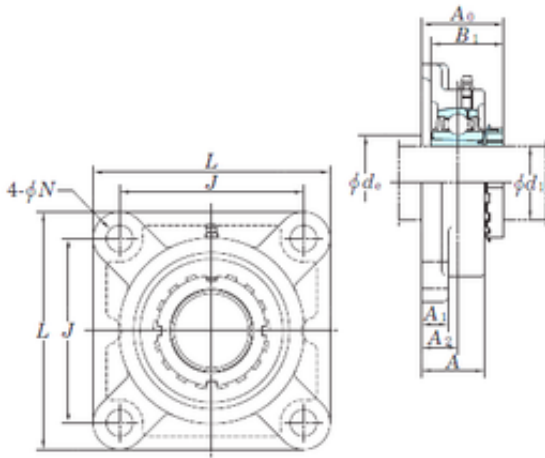




Timken BEARINGS INDUSTRY

KOYO UKFX18 bearing units

Bearing No. UKFX18



UKFX18 Bearing 2D drawings and 3D CAD models

Bore Diameter	80 mm
d	80 mm
A0	88 mm
d3	102 mm
A	76 mm
A1	24 mm
B1	86 mm
J	171 mm
L	214 mm
N	23 mm
Thread (G)	M20
A2	45 mm
Weight	11,4 Kg
Basic dynamic load rating (C)	109 kN
Basic static load rating (C0)	81,9 kN