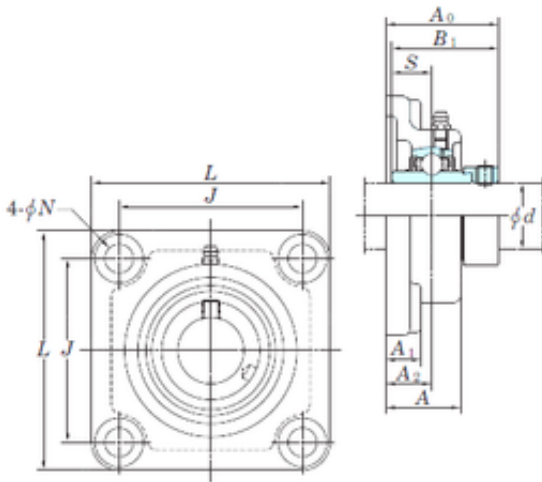




# Timken BEARINGS INDUSTRY

## KOYO NANF205-15 bearing units

Bearing No. NANF205-15



NANF205-15 Bearing 2D drawings and 3D CAD models

Bore Diameter	23,8125 mm
d	23,8125 mm
A0	46,9 mm
A	31 mm
A1	15 mm
B1	44,4 mm
J	70 mm
L	95 mm
N	11,5 mm
S	17,5 mm
Bolt (G)	9,525
A2	20 mm
Weight	0,95 Kg
Basic dynamic load rating (C)	14 kN
Basic static load rating (C0)	7,85 kN