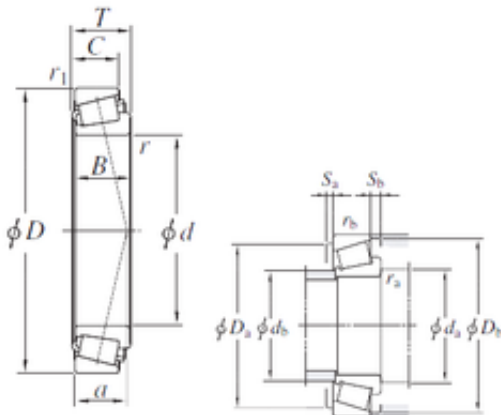




Timken BEARINGS INDUSTRY

107,95 mm x 212,725 mm x 66,675 mm KOYO
HH224340/HH224310 tapered roller bearings

Bearing No. HH224340/HH224310



HH224340/HH224310 Bearing 2D drawings and 3D CAD models

Size	107.95x212.725x66.675 mm
Bore Diameter	107,95 mm
Outer Diameter	212,725 mm
Width	66,675 mm
d	107,95 mm
D	212,725 mm
T	66,675 mm
B	66,675 mm
C	53,975 mm
a	47,6 mm
r min.	7,9 mm
r1 min.	3,2 mm
r2 min.	3,2 mm
da min.	129 mm
Da min	189 mm
Da max.	201 mm
Da	192 mm
db max.	134 mm
db min	126 mm
ra max.	7,9 mm
rb max.	3,2 mm
Db	201 mm
Weight	10,2 Kg
Basic dynamic load rating (C)	513 kN
Basic static load rating (C0)	699 kN



Timken BEARINGS INDUSTRY

(Grease) Lubrication Speed	1800 r/min
(Oil) Lubrication Speed	2400 r/min
Calculation factor (e)	0,33
Calculation factor (Y0)	1,01