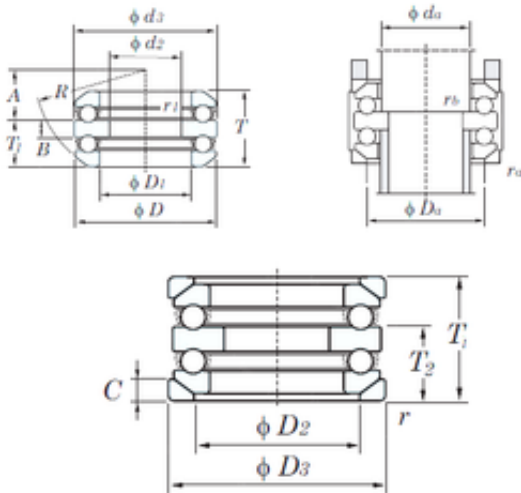




# Timken BEARINGS INDUSTRY



## KOYO 54405U thrust ball bearings

Bearing No. 54405U

Size	15x60x49.8 mm
Bore Diameter	15 mm
Outer Diameter	60 mm
Width	49.8 mm
d2	15 mm
D	60 mm
T	49.8 mm
T1	55 mm
T1	30.4 mm
T2	33 mm
d3	60 mm
r min.	1 mm
r1 min.	0.6 mm
A	15 mm
B	11 mm
C	8 mm
D1	27 mm
D2	42 mm
D3	62 mm
R	50 mm
da min.	25 mm
Da max.	42 mm
ra max.	1 mm
rb max.	0.6 mm
Weight	0.804 Kg
Basic dynamic load rating (C)	55.6 kN

54405U Bearing 2D drawings and 3D CAD models



## Timken BEARINGS INDUSTRY

Basic static load rating (C0)	89.4 kN
(Grease) Lubrication Speed	2600 r/min