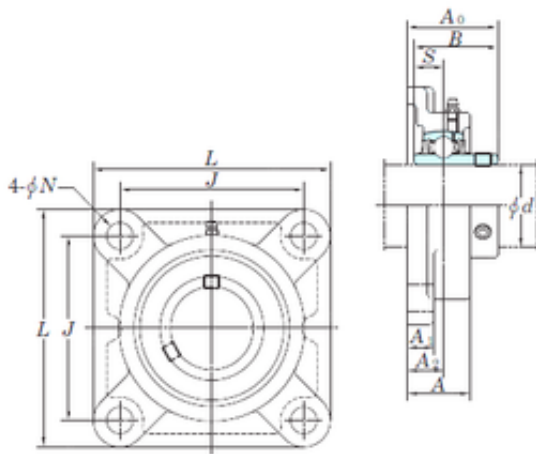




Timken BEARINGS INDUSTRY

KOYO UCFX07 bearing units



Bearing No. UCFX07

Bore Diameter	35 mm
d	35 mm
A0	51,2 mm
A	38 mm
A1	14 mm
B	49,2 mm
J	102 mm
L	130 mm
N	16 mm
S	19 mm
Bolt (G)	M14
A2	21 mm
Weight	2 Kg
Basic dynamic load rating (C)	29,1 kN
Basic static load rating (C0)	17,8 kN
Bearing No.	UCFX07
Bolt size	M14
Cr	29.1
C0r	17.8
f0	14.0
(Refer.)Unit mass(kg)	2.0
Nipple size	1/4-28UNF

UCFX07 Bearing 2D drawings and 3D CAD models