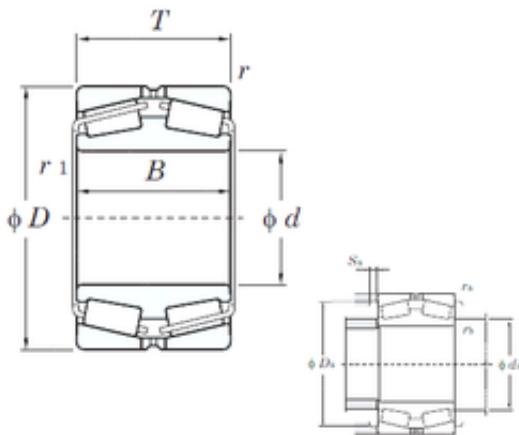




Timken BEARINGS INDUSTRY

160 mm x 240 mm x 60 mm KOYO 45232 tapered roller bearings



Bearing No. 45232

45232 Bearing 2D drawings and 3D CAD models

Size	160x240x60 mm
Bore Diameter	160 mm
Outer Diameter	240 mm
Width	60 mm
d	160 mm
D	240 mm
T	60 mm
B	60 mm
r min.	2,5 mm
r1 min.	3 mm
da max	184 mm
Db min.	217 mm
ra max.	2 mm
rb max.	2,5 mm
Db max	228 mm
Weight	9,22 Kg
Basic dynamic load rating (C)	421 kN
Basic static load rating (C0)	705 kN
(Grease) Lubrication Speed	1100 r/min
(Oil) Lubrication Speed	1500 r/min
Calculation factor (e)	0,24
Calculation factor (Y0)	2,73
Bearing No.	45232
r(min)	2.5
r1(min)	3



Timken BEARINGS INDUSTRY

Cr	488
C0r	705
Cu	46.6
Grease lub.	1100
Oil lub.	1500
da(max)	184
Da(max)	228
Da(min)	217
Sa(min)	5
ra(max)	2
rb(max)	2.5
e	0.24
Y2	2.79
Y3	4.15
Y0	2.73
(Refer.) Mass(kg)	9.22